

KIT PART NUMBER 4552404

INSTRUCTIONS FOR INSTALLING GRAY MILLENNIA HEADER KIT

CHECK THE PARTS RECEIVED IN THE KIT WITH THE PARTS LIST IN THESE INSTRUCTIONS. IF ANY PARTS ARE MISSING, CONTACT THE NATIONAL VENDORS PARTS DEPARTMENT IMMEDIATELY.

Read these instructions carefully before installing the kit.
Keep these instructions for part numbers and for future reference.

THIS KIT CONTAINS THE FOLLOWING :

PART NUMBER	DESCRIPTION	QUANTITY
4552398	ASSY - TOP MILLENNIA TRIM - GRAY	1
4552399	DECAL .020 THK HORIZ - GRAY	1
4741050	SCREW #8-32X.50 HX.HD.-T.F.-BLACK	10
4552402	KIT- INSTRUCTIONS	1

1. Disconnect power from machine.
2. Remove Millennia header from machine.
3. Using a heavy pair of channel lock pliers, remove all clips left from trim piece that was removed in previous step.

Note:

Clips may be hard to remove. Be careful not to damage door of machine when removing.

4. Align Millennia trim assembly part #4552398 to the outside top of machine where the original trim was removed.

USE FROZEN GOURMET TOP MILLENNIA TRIM AS TEMPLATE TO MARK LOCATION OF HOLES TO DRILL.
NOTE: TO AVOID CAUSING DAMAGE TO OTHER AREAS ON THE DOOR, ONLY DRILL 1/16TH INCH DEEP INTO THE METAL PLATE.

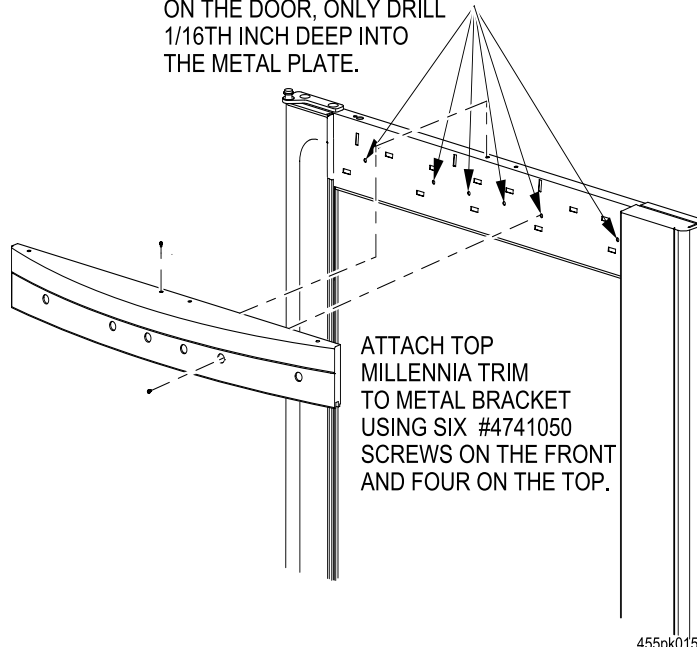


Figure 1

-
5. Using a pencil or marker, place a mark in each hole using the Millennia trim as a template. You should have a total of six marks in front of the door frame and four marks on top of the door frame when you are finished (See figure 1).
 6. Remove the Millennia trim from the door frame.
 7. Using a .141 drill bit, drill a hole where you placed all the marks on the door frame. Be sure to clean all metal shavings from the area when finished drilling the holes.

Note:

Be careful not to drill the holes too deep because you could damage the light assembly behind the door frame. Only drill the holes about 1/16" deep or through the outer door frame.

8. Mount the Millennia trim assembly part #4552398 to the frame of the door using the ten screws part #4741050 provided in the kit .

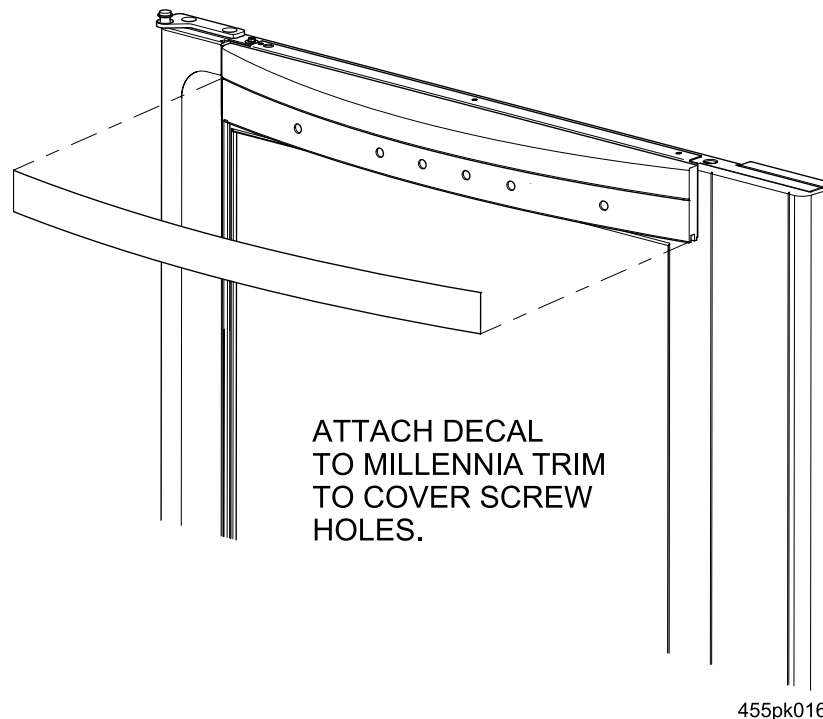


Figure 2

9. Place the decal part #4552399 over the screw holes on the Millennia trim piece (See figure 2).
10. Restore power to machine.